

# LPC Series



Capacity	Model
1t	LPC 1
2.5t	LPC 2.5
5t	LPC 5
10t	LPC 10
25t	LPC 25
50t	LPC 50
100t	LPC 100

### Features

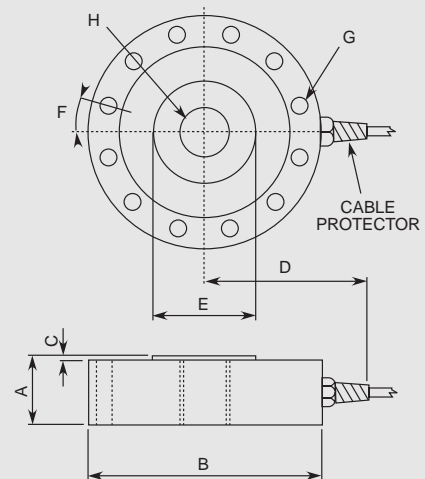
- Low profile tension and compression
- Directly replaces international models
- Robust tool steel construction
- Individually calibrated, test certificate supplied
- Simple installation
- Fully environmentally sealed
- Corrosion resistant electroless nickel plated
- Full range of mounting accessories

### Specifications

Nominal capacity .....	1t to 100 tonne
Nominal output at capacity .....	2mV/V ± 0.1%
Factory calibration mode .....	Compression
Linearity error .....	0.05%
Repeatability .....	0.02%
Zero return, creep (30 mins) .....	0.03%
Temp. effect span/10 deg. C .....	0.02%
Temp. effect zero/10 deg. C .....	0.025%
Insulation resistance - brg to gnd .....	>5000 M ohms
Insulation resistance - cbl to gnd .....	>1000 M ohms
Compensated temp. range .....	-10 to 50 deg. C
Output resistance .....	705 ohms
Input resistance .....	820 ohms nominal
Service load .....	100% of capacity
Safe load .....	150% of capacity
Mechanical failure .....	>300% of capacity
Recommended excitation .....	5V to 20V ac/dc
Maximum excitation .....	25V dc
Environmental protection .....	IP67

\*\* All specifications are with a factory fitted base.

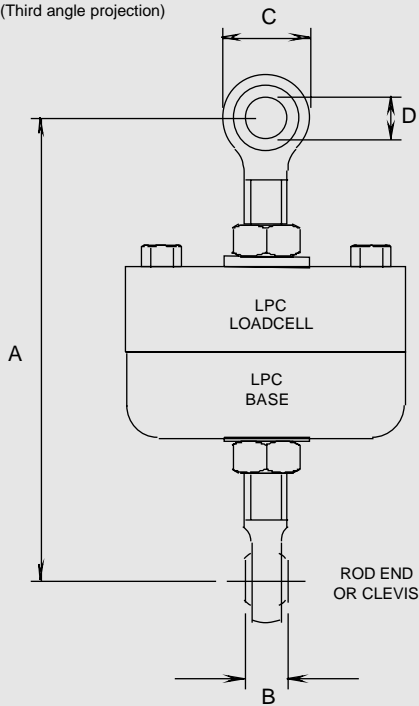
\*\* All specifications are a maximum, as a % (±) of full load, unless otherwise stated.



LPC	A	B	C	D	E	F	G	H
1t	35	105	3	95	35	22.5°	8 Ø6.5 PCD 88.9	5/8" UNF
2.5t	35	105	3	95	35	22.5°	8 Ø6.5 PCD 88.9	5/8" UNF
5t	35	105	3	95	35	22.5°	8 Ø6.5 PCD 88.9	5/8" UNF
10t	44.5	155	3	125	65	15°	12 Ø10.5 PCD 130.2	1 1/4" UNF
25t	44.5	155	3	125	65	15°	12 Ø10.5 PCD 130.2	1 1/4" UNF
50t	63.5	205	6.5	145	95	11.25°	16 Ø13 PCD 165.1	1 3/4" UN
100t	90	280	13	185	125	11.25°	16 Ø17.5 PCD 228.6	2 3/4" UN

## LPC ACCESSORIES

Dimensions in mm  
(Third angle projection)

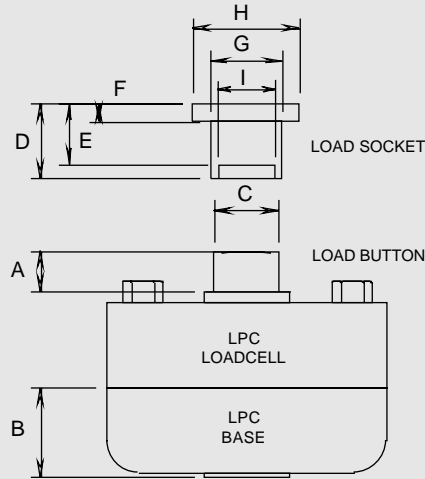


LPC	1t-5t	10t-25t	50t	100t
	RODEND	RODEND	CLEVIS	CLEVIS
A	164	220	272	411
B	19.05	35	50	80
C	38	70	100	160
D	15.88	25.4	40	65

Rod ends and clevises are used with the LPC loadcell for tension applications. They are used singularly or in pairs and provide ease of installation with the addition self aligning action where a rod end can be used.

## LPC ACCESSORIES

Dimensions in mm  
(Third angle projection)

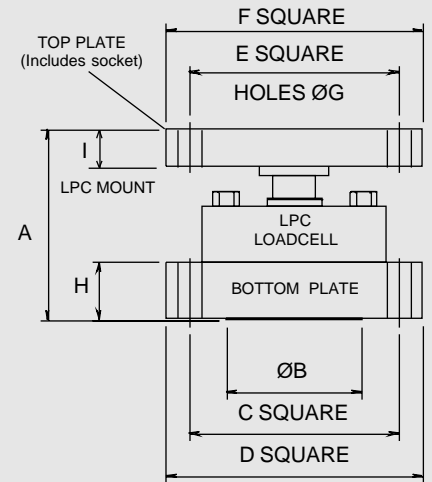


LPC	1t-5t	10t-25t	50t	100t
A	7.5	22	41.5	48
B	28.5	44.5	50	76
C	27	44.5	63.5	101.6
D	28	30	38	63
E	21.5	18	25	50
F	8	10	10	15
G	35	60	80	120
H	50	75	100	150
I	30	48	68.5	107

A load button and hardened socket is used with the LPC in compression applications. With the loadcell rigidly fixed to a base, load is applied through the socket. If a suitable load button is attached top and bottom the loadcell converts to self centring pendle action.

## LPC ACCESSORIES

Dimensions in mm  
(Third angle projection)



LPC	1t-5t	10t-25t	50t	100t
A	92	114.5	168	245
B	76	100	150	260
C	127	140	200	290
D	150	200	250	325
E	127	140	200	290
F	150	200	250	325
G	14	17.5	17.5	17.5
H	28	30	38	57
I	16	20	28	32

The complete mount above is used with the LPC in compression load applications. The mount can be ordered complete to simplify installation or the top and bottom plates can be ordered separately to match individual requirements.

## CABLING

RED	+	EXCITATION
BLACK	-	EXCITATION
GREEN	+	SIGNAL
WHITE	-	SIGNAL
BROWN	+	SENSE
BLUE	-	SENSE

CABLE IS SIX CORE SILVER GREY QUALITY PVC SHEATHED WITH SCREEN AND HAS A LENGTH AS FOLLOWS.

LPC	1t-5t	3	METRES
LPC	10t-25t	5	METRES
LPC	50t-100t	10	METRES

## ACCESSORIES

### ACCESSORY LIST

### ACCESSORY PART CODE

	LPC	1t-2.5t	5t	10t	25t	50t	100t
1 ROD END BEARING	A-RE0.625-2	A-RE0.625-5	A-RE1.250-10	A-RE1.250-25	A-RE1.750-50	A-RE2.750-100	
2 LOAD BUTTON	A-LB0.625	A-LB0.625	A-LB1.250	A-LB1.250	A-LB1.750	A-LB2.750	
3 LOAD SOCKET	A-LS50	A-LS50	A-LS75	A-LS75	A-LS100	A-LS150	
4 LPC BASE	A-TB-5	A-TB-5	A-TB-25	A-TB-25	A-TB-50	A-TB-100	
5 LPC MOUNT	MLPC-5	MLPC-5	MLPC-25	MLPC-25	MLPC-50	MLPC-100	
6 LPC BOTTOM PLATE	A-BPLPC-5	A-BPLPC-5	A-BPLPC-25	A-BPLPC-25	A-BPLPC-50	A-BPLPC-100	
7 LPC TOP PLATE	A-TP-5	A-TP-5	A-TP-25	A-TP-25	A-TP-50	A-TP-100	
7 SPHERICAL WASHER	A-SW16/30	A-SW16/30	A-SW32/60	A-SW32/60	A-SW45/90	A-SW70/140	

LPC LOADCELL ACCESSORIES ARE QUALITY ITEMS ENGINEERED FROM TOOL STEEL, HARDENED AND TEMPERED TO LAST AND PLATED TO PROTECT AGAINST CORROSION. STATE LOADCELL MODEL AND CAPACITY WHEN ORDERING LOADCELL ACCESSORIES.



...better loadcells by design

# Precision Transducers Ltd.

## Sales & Product Information

Unit 7, 6-8 Old Castle Hill Road,  
P.O. Box 1345, Castle Hill, NSW 2154, Australia

International Fax +61 2 9680 7014

Australia Fax 02 9680 7014

New Zealand Fax 0800 333 321

Internet Site <http://www.pretran.com.au>

Phone +61 2 9680 7966

Phone 1800 777 866

Phone 0800 543 210

Email [ptsales@ibm.net](mailto:ptsales@ibm.net)



Certificate No. QS247.96

Due to Precision Transducer's policy of continuous development, these specifications are subject to change without notice.