

FEATURES

- Hermetically sealed
- High reliability against fatigue and side force

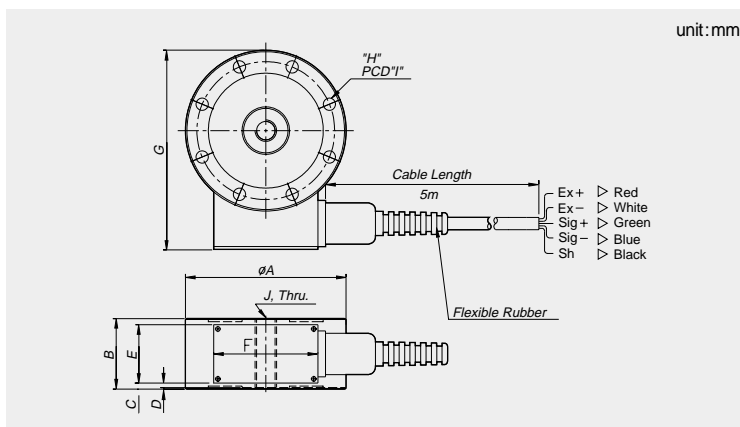
OPTIONS

- High accuracy grade

SPECIFICATIONS

Max. capacity	tf	2, 3, 5, 10, 20, 50, 100	
Rated output	mV/V	2.0 ± 0.005	
Zero balance	mV/V	0 ± 0.02	
Accuracy class		A	B
Combined error	%	0.02	0.05
Repeatability	%	0.01	0.02
Creep for 30 min.	%	0.03	0.03
Temperature effect on			
Zero Value	%/10°C	0.03	0.03
Output value	%/10°C	0.03	0.03
Excitation			
Recommended	V	10	
Maximum	V	15	
Resistance			
Input	Ω	350 ± 3.5	
Output	Ω	350 ± 3.5	
Insulation	MΩ	> 2,000	
Compensated temperature range	°C	-10 to +40	
Operating temperature range	°C	-20 to +80	

DIMENSIONS



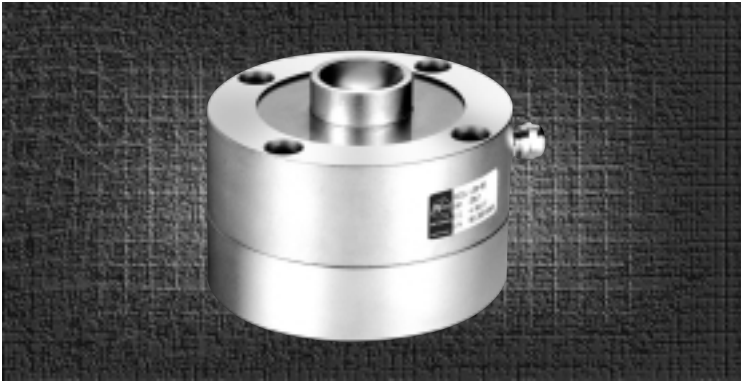
Material

Paint finished steel

Cable

Braided shield 4-wire round cable with P.V.C-jacket

Model	Capacity	øA	B	C	D	E	F	G	H	I	J
LS-2	2tf	112	46	4	1	38	68	141.5	8 - ø6.6	97.2	M16 × 2.0
LS-3	3tf	112	46	4	1	38	68	141.5	8 - ø6.6	97.2	M16 × 2.0
LS-5	5tf	120	46	4	1	38	68	149.5	8 - ø9	103.2	M18 × 1.5
LS-10	10tf	138	60	11	1	38	68	167.5	8 - ø11	117.6	M24 × 2.0
LS-20	20tf	184	80	21	1	38	68	213.5	8 - ø14	157.6	M39 × 2.0
LS-50	50tf	200	60	11	1	38	68	229.5	12 - ø14.3	170	M45 × 3.0
LS-100	100tf	278	90	31	1	38	68	307.5	16 - ø16.3	229	M70 × 3.0



FEATURES

- High output (4mV/V)
- Low profile design
- Integrated ball loading construction

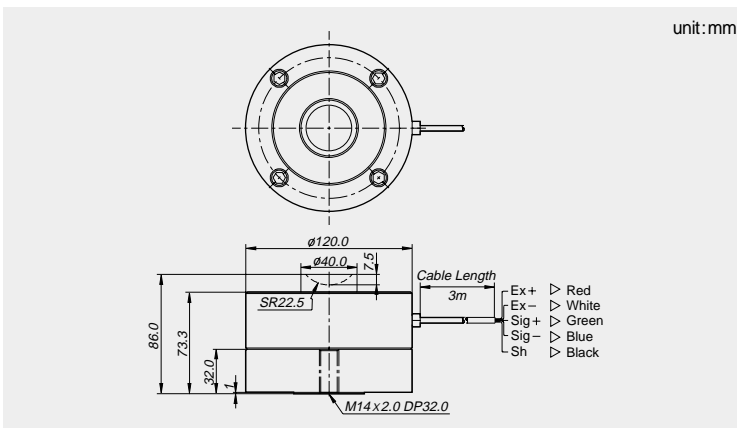
OPTIONS

- Without accessory

SPECIFICATIONS

Max. capacity	tf	20, 30
Rated output	mV/V	4.0 ± 0.01
Zero balance	mV/V	0 ± 0.04
Combined error	%	0.03
Repeatability	%	0.02
Creep for 30 min.	%	0.03
Temperature effect on		
Zero Value	%/10°C	0.03
Output value	%/10°C	0.03
Excitation		
Recommended	V	10
Maximum	V	15
Resistance		
Input	Ω	420 ± 30
Output	Ω	350 ± 3.5
Insulation	MΩ	> 2,000
Compensated temperature range	°C	- 10 to +40
Operating temperature range	°C	-50 to +80

DIMENSIONS



Material

Nickel plated steel

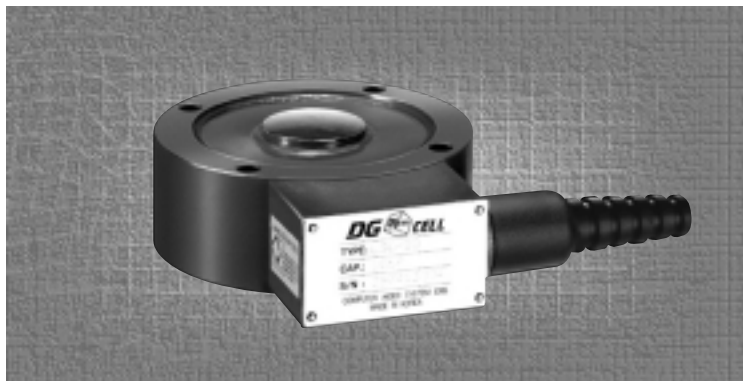
Cable

Braided shield 4-wire round cable with Urethane-jacket

Ordering Information

LSB - XX

Capacity in ton



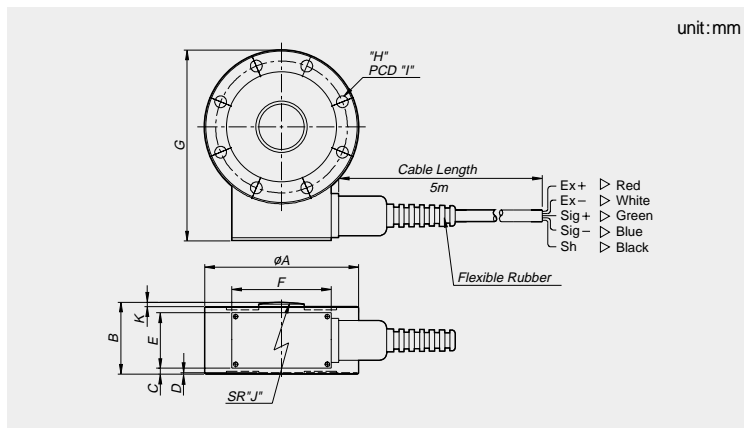
FEATURES

- High output (3mV/V)
- Hermetically sealed
- High reliability against side force
- Low profile design
- Compression application only

SPECIFICATIONS

Max. capacity	tf	2, 5, 10, 20, 50, 100
Rated output	mV/V	3.0 ± 0.0075
Zero balance	mV/V	0 ± 0.03
Combined error	%	0.05
Repeatability	%	0.02
Creep for 30min.	%	0.03
Temperature effect on		
Zero Value	%/10°C	0.03
Output value	%/10°C	0.03
Excitation		
Recommended	V	10
Maximum	V	15
Resistance		
Input	Ω	350 ± 3.5
Output	Ω	350 ± 3.5
Insulation	MΩ	> 2,000
Compensated temperature range	°C	-10 to +40
Operating temperature range	°C	-50 to +80

DIMENSIONS



Material

Paint finished steel

Cable

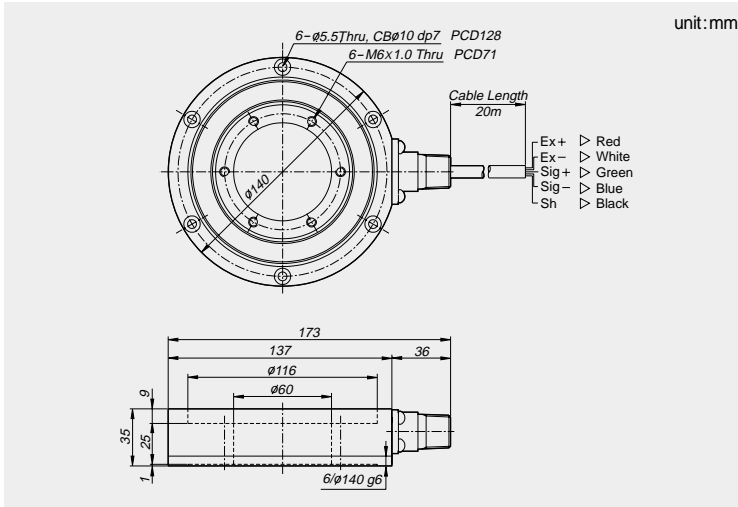
Braided shield 4-wire round cable with P.V.C-jacket

Model	Capacity	øA	B	C	D	E	F	G	H	I	J	K
LSC-2	2tf	105	35	1	1	30	65	126.5	8 - ø7	90	100	3
LSC-5	5tf	105	35	1	1	30	65	126.5	8 - ø7	90	100	3
LSC-10	10tf	120	45	2	1	38	68	152	4 - ø9	90	150	3
LSC-20	20tf	120	45	2	1	38	68	152	4 - ø9	90	150	3
LSC-50	50tf	190.5	57.2	6.4	1	38	68	225	12 - ø13.5	159	200	6.4
LSC-100	100tf	209.5	82.6	19.1	1	38	68	245	4 - ø18	171.5	200	6.4

LSW Low profile center hole load cell, 1tf - 3tf



DIMENSIONS



FEATURES

- Center hole compression load cell
- Low-profile

SPECIFICATIONS

Max. capacity	1, 2, 3tf
Rated output	1.0mV/V
Zero balance	0 ± 0.015 mV/V
Linearity	0.5%R.O.
Hysteresis	0.5%R.O.
Creep for 30min.	0.05%R.O.
Temperature effect on	
Zero Value	0.05%R.O./10°C
Output value	0.05%R.O./10°C
Excitation	
Recommended	10V
Maximum	15V
Resistance	
Input	$350 \pm 3.5 \Omega$
Output	$350 \pm 3.5 \Omega$
Insulation	> 2,000 M Ω
Compensated temperature range	- 10 to +40
Operating temperature range	-30 to +80